

# Compact Size Zoom Microscope

## DZ4-T/E

### Features1

#### Lightweight / Compact

Reviewing all the design of optical system to realize lightweight compact body  
Being easier to be implemented into equipment as optical head

### Features2

#### Zoom ratio 12 (0.83X to 10X)

Enhancing lower magnification side to get wider viewing field  
Enhancing further workability and efficiency

### Features3

#### Various kinds of objectives (5 kinds)

Magnification range covers 0.42x to 70x with these 5 objectives  
Sample observation can be realized under optimum conditions such as high resolution, long working distance or wider viewing field

### Features4

#### LED Illumination

In order to make its body compact, illumination is located at front or back



DZ4-T  
Manual Type



DZ4-E  
Motorized Type

### Specifications of Main Unit

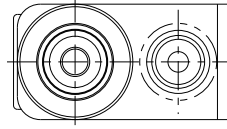
Correction System	Afocal	
Zoom Ratio	12	
Image Size	φ 8mm (1/2 CCD applicable, with C-Mount)	
Length Overall	174.5mm	
Weight	Manual type:900g	Motorized type:1,250g
	exclusive of objectives, camera & LED	
Illumination System	Coaxial Reflecting Illumination	

### Specifications of Objectives

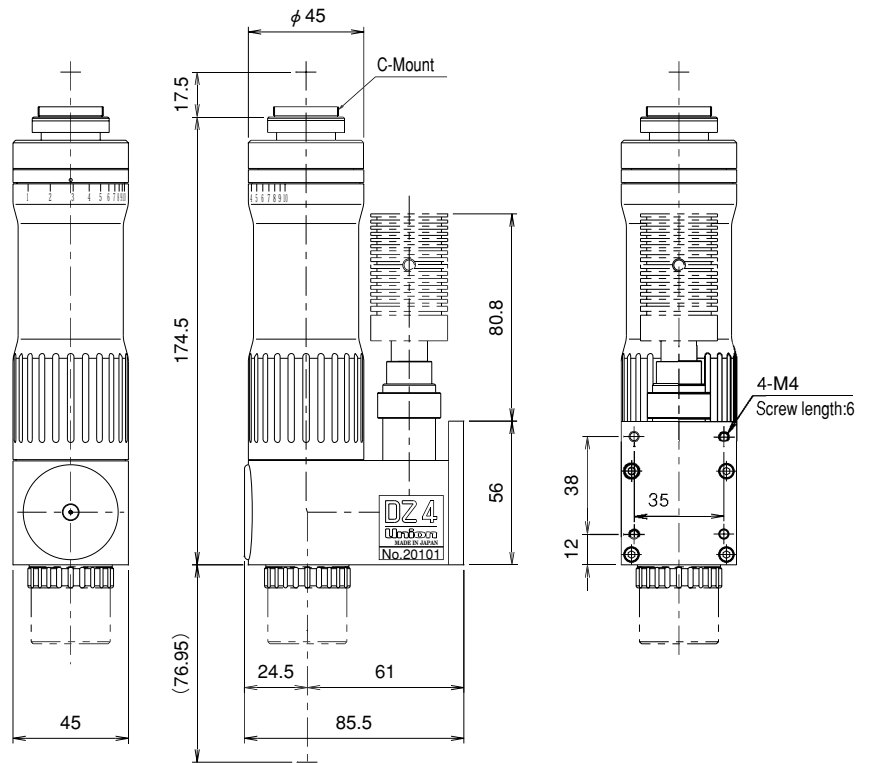
Type of Objectives	Optical Magnificatin	Total Magnificatin	N.A.	W.D.	Resolution	Focal Depth	Weight
ZC5	0.42~5x	25.2~300x	0.01~0.07	45mm	33.55~4.79μm	±2750~56.12μm	190g
ZC15	1.25~15x	75~900x	0.03~0.2	46.2mm	11.18~1.68μm	±305.56~6.88μm	150g
ZC30	2.5~30x	150~1800x	0.06~0.36	35.25mm	5.59~0.93μm	±76.39~2.12μm	396g
ZC50	4.16~50x	249.6~3000x	0.1~0.45	14mm	3.36~0.75μm	±27.50~1.36μm	250g
ZC70	5.83~70x	349.8~4200x	0.14~0.7	7.1mm	2.40~0.48μm	±14.03~0.56μm	550g

The above total magnification is obtained with 1/2"CCD & 19"TV Monitor

# External Dimensions

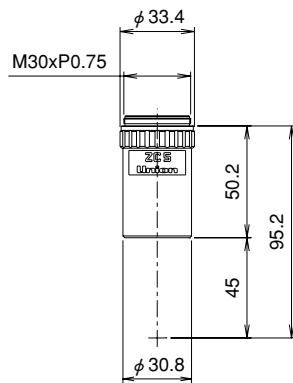


## DZ4-T (Manual type)

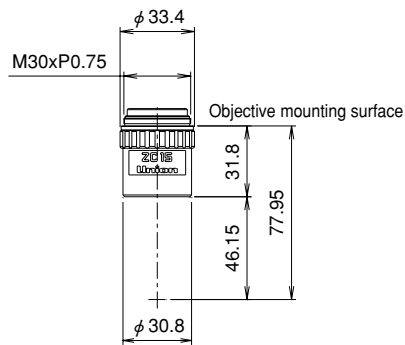


Dimensions with objective; ZC15

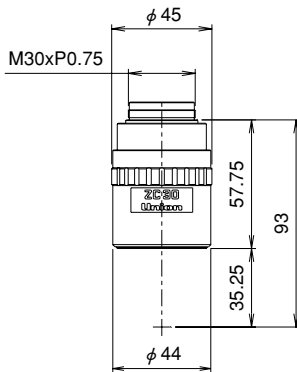
## Objectives



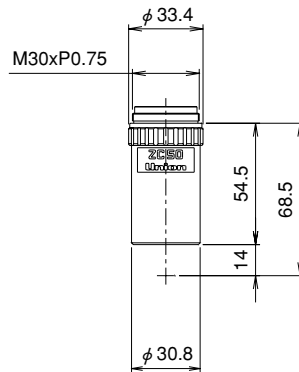
ZC5



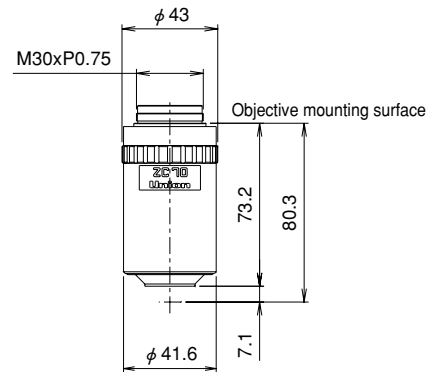
ZC15



ZC30



ZC50



ZC70

# UNION OPTICAL CO., LTD.

2-22-4, Shingashi, Itabashi-Ku, Tokyo 175-0081, Japan

Tel: 81-3-5997-8531 Fax: 81-3-5997-8532

URL: <http://www.union.co.jp> E-mail: [new-union@union.co.jp](mailto:new-union@union.co.jp)

• All specifications are subject to change without prior notice.